

# LED Signal Lights - Model 223

## PRODUCT INFORMATION

<b>Description</b>	12-24V ECE LED Stop, Tail & Turn Signal Light with Harness
<b>Height</b>	127.00 mm / 5 in
<b>Width</b>	127.00 mm / 5 in
<b>Depth</b>	48.26 mm / 1.9 in
<b>Shape</b>	Square
<b>Outer Lens Material</b>	Acrylic
<b>Outer Lens Color</b>	Amber, Red
<b>Housing Material</b>	ABS
<b>Housing Color</b>	Black
<b>Mounting Hardware Description</b>	(x2) M6-1 x 25 Mounting Bolts
<b>Mounting Type</b>	Low Profile Mount
<b>Minimum Operating Temperature</b>	-40 °C / -40 °F
<b>Maximum Operating Temperature</b>	65 °C / 149 °F
<b>Connector or Wiring</b>	Integrated 4-Pin Deutsch Socket (DT04-4P)
<b>Mating Connector</b>	4-Pin Deutsch Plug (DT06-4S)
<b>Product Weight</b>	0.46 lbs / 0.21 kgs
<b>Shipping Weight</b>	0.90 lbs / 0.41 kgs



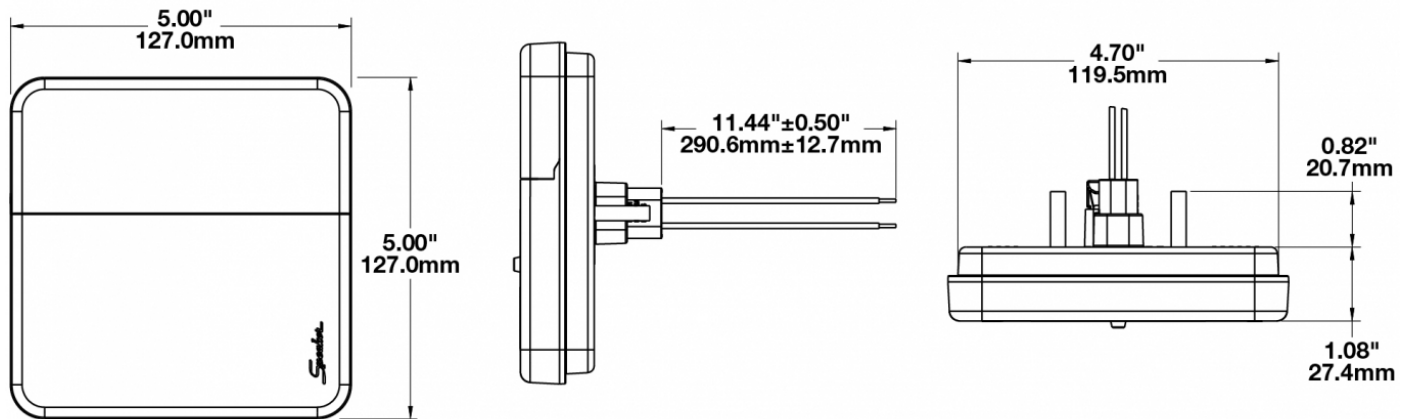
Print date: 2024-08-11

© 2024 J.W. Speaker Corporation • Germantown, WI U.S.A.  
[www.jwspeaker.com](http://www.jwspeaker.com) • [speaker@jwspeaker.com](mailto:speaker@jwspeaker.com) • 262.251.6660

**J.W. SPEAKER**   
 Engineered. Lighting. Solutions.

# LED Signal Lights - Model 223

## PRODUCT DIMENSIONS



## ELECTRICAL SPECIFICATIONS

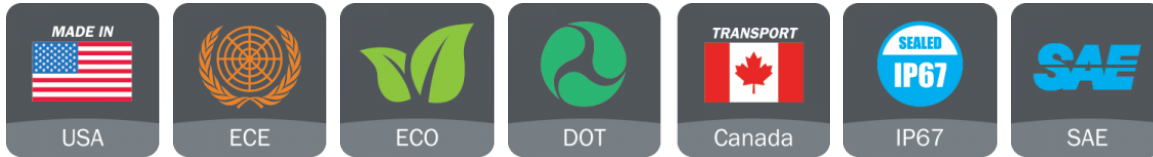
<b>Input Voltage</b>	12-24V DC
<b>Black Wire</b>	Ground
<b>Yellow Wire</b>	Turn
<b>White Wire</b>	Tail
<b>Red Wire</b>	Stop
<b>Current Draw</b>	0.33A @ 12V DC 0.145A @ 24V DC

Print date: 2024-08-11

© 2024 J.W. Speaker Corporation • Germantown, WI U.S.A.  
www.jwspeaker.com • speaker@jwspeaker.com • 262.251.6660

# LED Signal Lights - Model 223

## REGULATORY STANDARDS COMPLIANCE

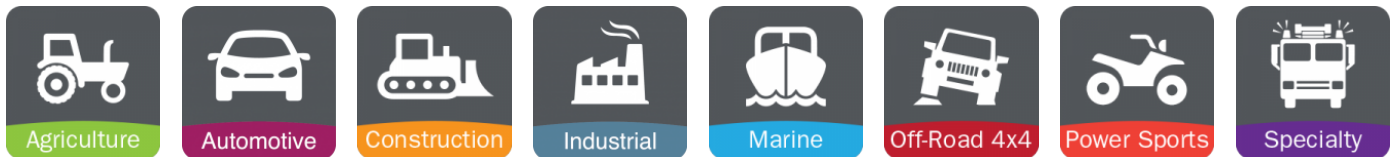


Buy America Standards	ECE Reg 3
ECE Reg 6	ECE Reg 7
Eco Friendly	FMVSS 108 s7.1 (Table VII)
FMVSS 108 s7.2 (Table VIII)	FMVSS 108 s7.3 (Table IX)
FMVSS 108 s8.1 (Table XVI)	IEC IP67
SAE J575	SAE J585
SAE J586	SAE J588
SAE J594	

## PHOTOMETRIC SPECIFICATIONS

<b>Beam Pattern(s)</b>	Signalization - Stop
	Signalization - Tail
	Signalization - Turn (Front)
	Signalization - Turn (Rear)

## APPLICATIONS



Print date: 2024-08-11

© 2024 J.W. Speaker Corporation • Germantown, WI U.S.A.  
 www.jwspeaker.com • speaker@jwspeaker.com • 262.251.6660

# LED Signal Lights - Model 223

## PRODUCT WARNINGS

---

For California residents:

⚠ **WARNING:** Cancer and reproductive harm - [www.P65Warnings.ca.gov](http://www.P65Warnings.ca.gov).

⚠ **AVERTISSEMENT:** Cancer et effet nocif sur la reproduction - [www.P65Warnings.ca.gov](http://www.P65Warnings.ca.gov).

## RELATED PRODUCTS

---



**Part Number**

**0341711**

12-24V ECE LED Front  
Position/Front Turn  
Signal Light